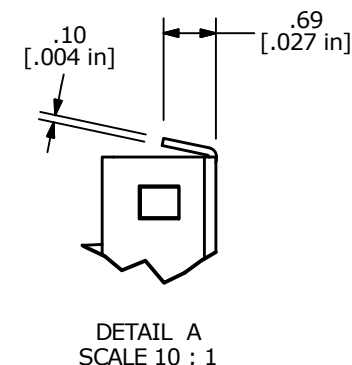
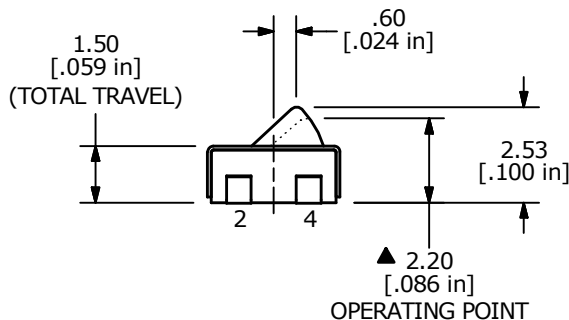
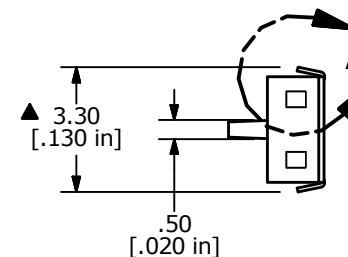
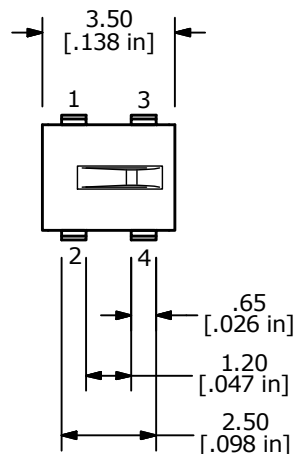


▲ SCHEMATIC
N.O.



NOTES:

1. ALL DIMENSIONS IN MM
2. GENERAL TOLERANCE: X.X = ±0.4
X.XX = ±0.25
3. TERM. NOS. FOR REFERENCE ONLY.
- ▲ 4. RATING: 1mA @ 5VDC
- ▲ 5. OPERATING POINT = 2.20 mm
- ▲ 6. OPERATING FORCE: ≤ 50 gf
7. CONTACT RESISTANCE: 2 OHMS MAX. (INITIAL)
8. ELECTRICAL LIFE: 100,000 min.
9. INSULATION RESISTANCE: 100 MOHMS MIN @ 100VDC
10. OPERATING TEMPERATURE: -10° C to 60° C
11. DIELECTRIC STRENGTH: 100 VAC FOR 1 MINUTE
12. PACKAGING: 2,600 PER REEL
13. ▲ DENOTES CRITICAL PARAMETER
14. 2011/65/EU (ROHS) COMPLIANT



B	23162	Update print	1/11/18	MW
A	21286	New Release	10/28/13	rc
REV	PCR NO	DESCRIPTION	DATE	BY

TITLE TD4700AQ				
SCALE	DATE	DR	DWG	REV
5:1	9/27/2013	rc	N470000	B

THE INFORMATION CONTAINED IN THIS DOCUMENT IS PROPRIETARY TO E-SWITCH AND IS NOT TO BE COPIED OR TRANSFERRED